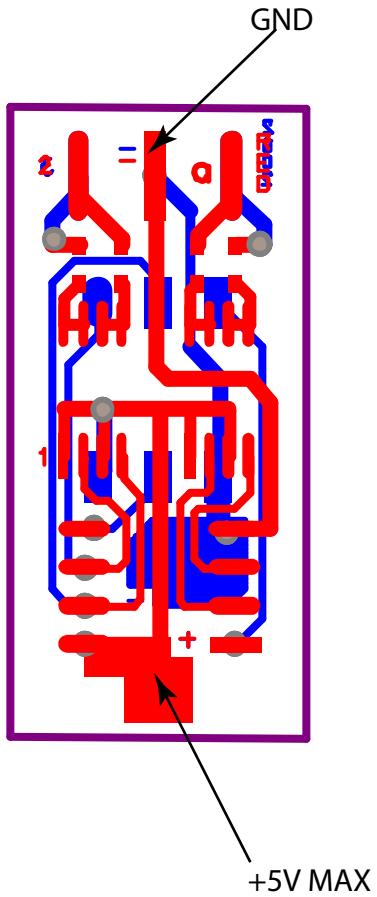


09-25-03

©2004 RED BYER

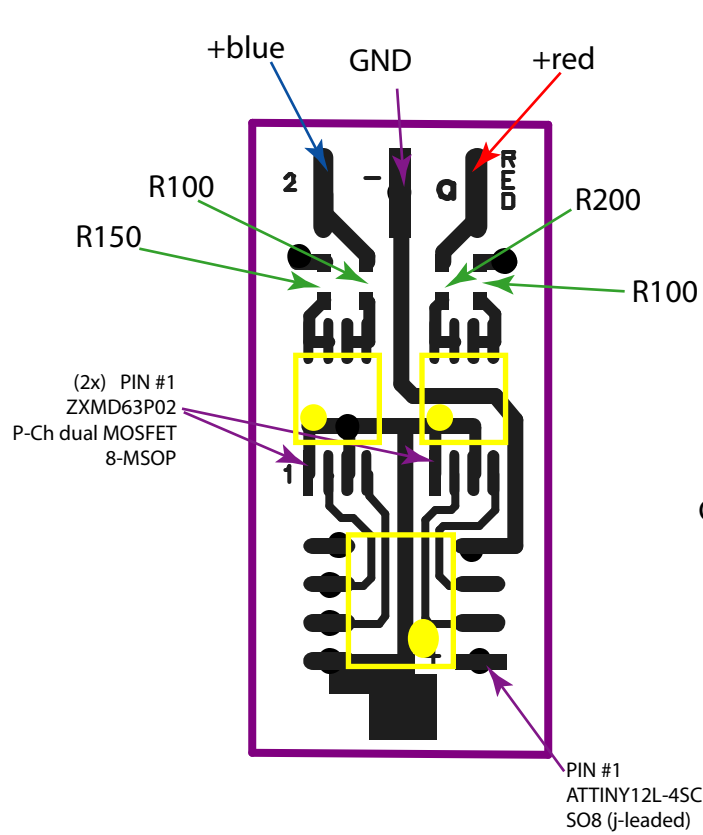
RT-0014X1

CribbagePegPCB



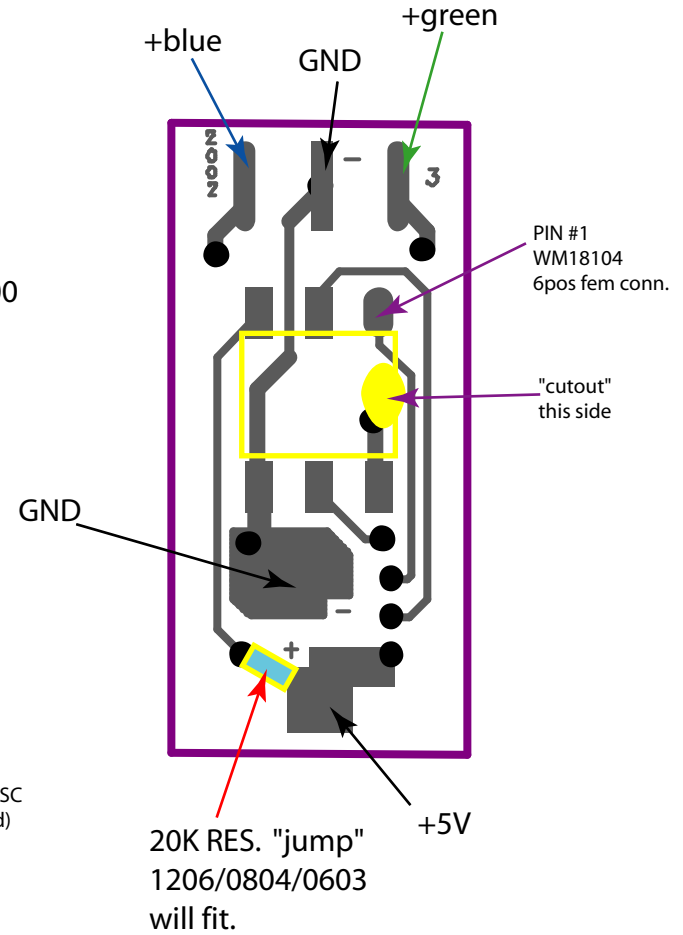
BOTH SIDES

.GBL



TOP LAYER ONLY

.GTL



BOTTOM LAYER ONLY

.GBL

NOTE: "X1" VERSION OF THE DESIGN IS MISSING 0.1uF CAP. THE 1206 CAP EASILY FITS FROM ISP PIN6 TO GND ON BOTTOM LAYER