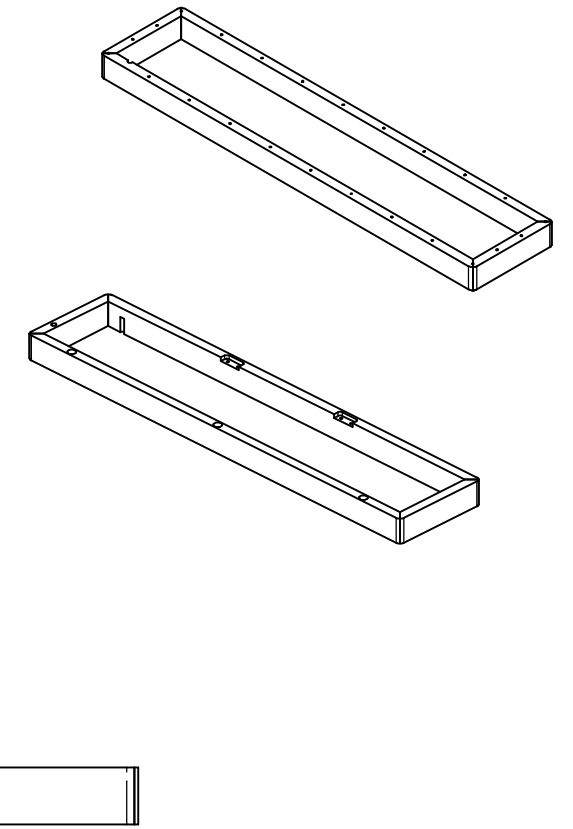
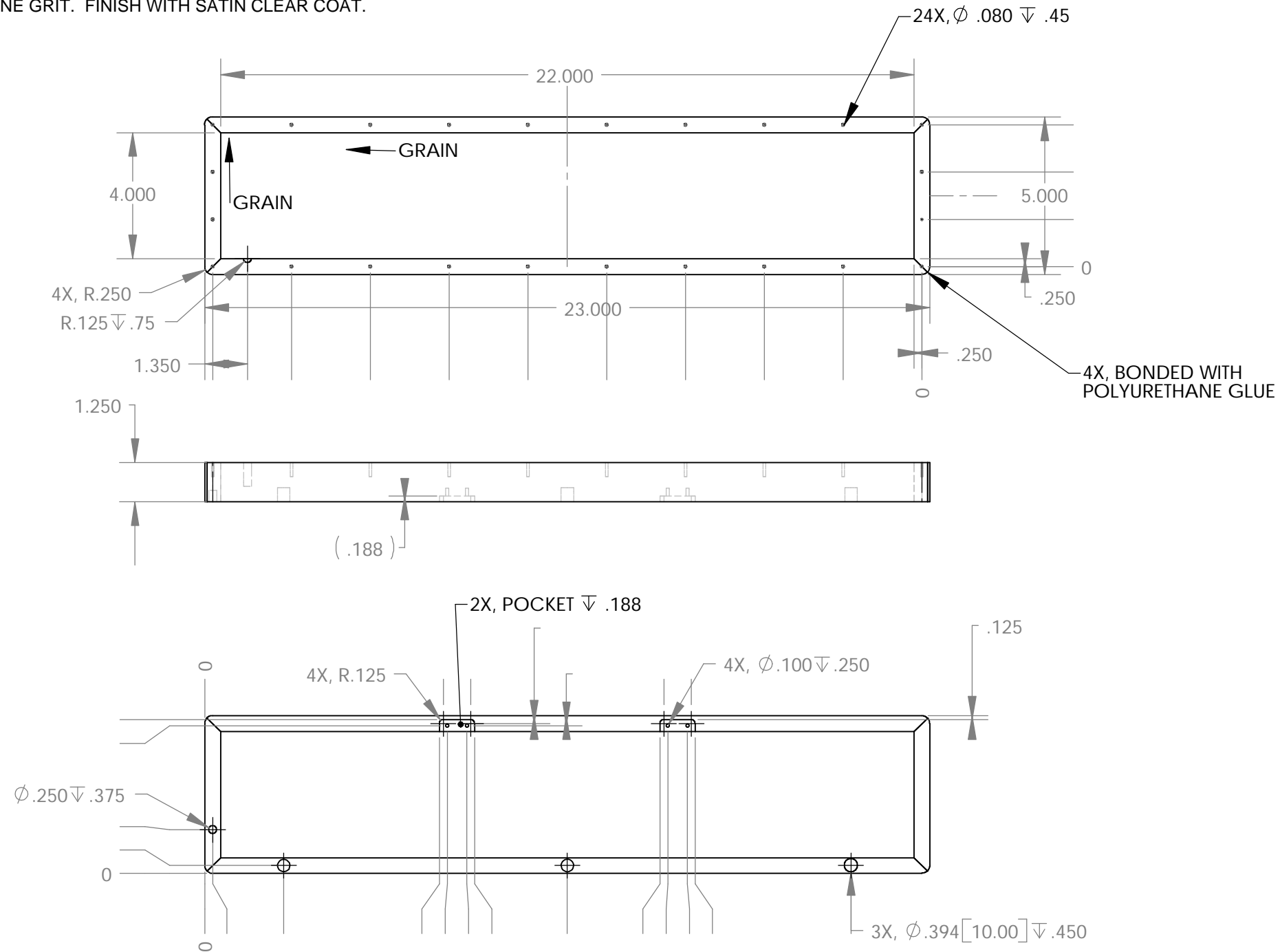




NOTES:

1. FINISH: NOTE GRAIN DIRECTION.
2. FINISH: SAND WITH FINE GRIT. FINISH WITH SATIN CLEAR COAT.



<small>CONFIDENTIAL - THIS DOCUMENT CONTAINS PROPRIETY INFORMATION AND/OR DATA AND IS ONLY FOR THE USE OF IT IS NOT TO BE COMMUNICATED TO OTHERS WITHOUT THE EXPRESSED WRITTEN CONSENT OF</small>		<small>UNLESS OTHERWISE SPECIFIED: 1. ALL DIMENSIONS ARE IN INCHES. 2. BREAK AND DEBURR ALL EDGES AND CORNERS (.02 MAX x 45°).</small>		ROUTE	APPVL	DATE	DWG. NO.: RT-0004	REV X	ECO#	DATE 03-06-02	
 THIRD ANGLE PROJECTION		<small>UNLESS OTHERWISE SPECIFIED TOLERANCES ARE:</small> .XX ± .01 .XXX ± .005 .XXXX ± .0005 ANGLE ± 1° XX.X° ± 0.2°		MATERIAL: ZIRICOTE FINISH: SEE NOTES DESIGNER: RED BYER		SURFACE FINISH: 63		TITLE: TOP FRAME, CRIBBAGE BOARD Red's Toyland Mountain View, CA, 94041			
SCALE: N/A	SIZE B			DWN. RED							
				REV.							
				P.E.							
				MODIFIED							