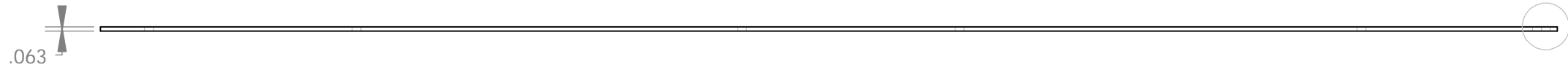
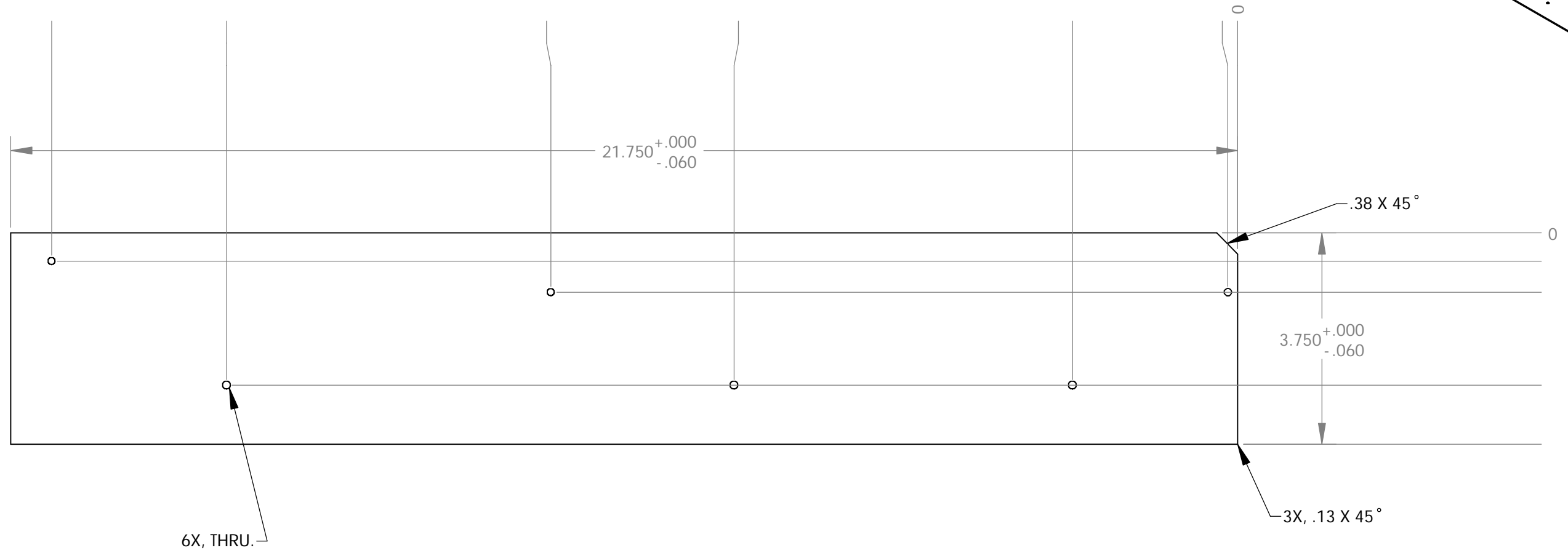
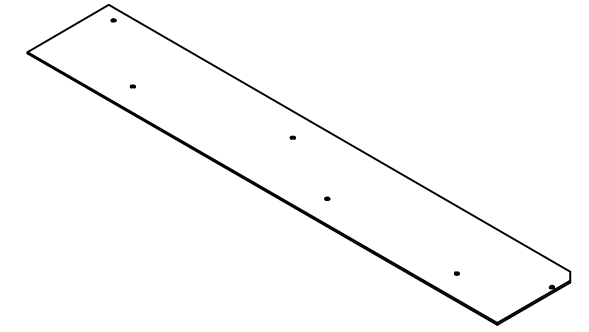


NOTES:

1. FINISH: FLAME POLISH EDGES.



<small>CONFIDENTIAL: THIS DOCUMENT CONTAINS PROPRIETY INFORMATION AND/OR DATA AND IS ONLY FOR THE USE OF . IT IS NOT TO BE COMMUNICATED TO OTHERS WITHOUT THE EXPRESSED WRITTEN CONSENT OF .</small>		<small>UNLESS OTHERWISE SPECIFIED: 1. ALL DIMENSIONS ARE IN INCHES. 2. BREAK AND DEBURR ALL EDGES AND CORNERS (.02 MAX X 45°).</small>		ROUTE	APPVL	DATE	DWG. NO.: RT-0005	REV X	ECO#	DATE 03-10-02
 THIRD ANGLE PROJECTION		<small>UNLESS OTHERWISE SPECIFIED TOLERANCES ARE:</small> .XX ± .01 .XXX ± .005 .XXXX ± .0005 ANGLE ± 1° XX.X° ± 0.2°		MATERIAL: 1/8" NOM ACRYLIC	DWN. RED			TITLE: BACKING, CLEAR		
SCALE: N/A SIZE B		SURFACE FINISH: 63		FINISH: SEE NOTES	REV.			Red's Toyland		
				DESIGNER: RED BYER	P.E.			Mountain View, CA, 94041		
					MODIFIED			h w	<i>Red's Toyland</i>	