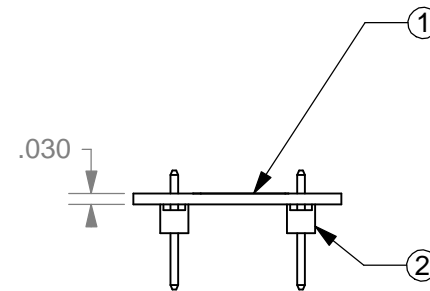
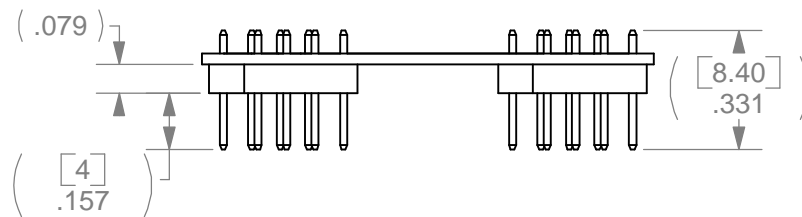
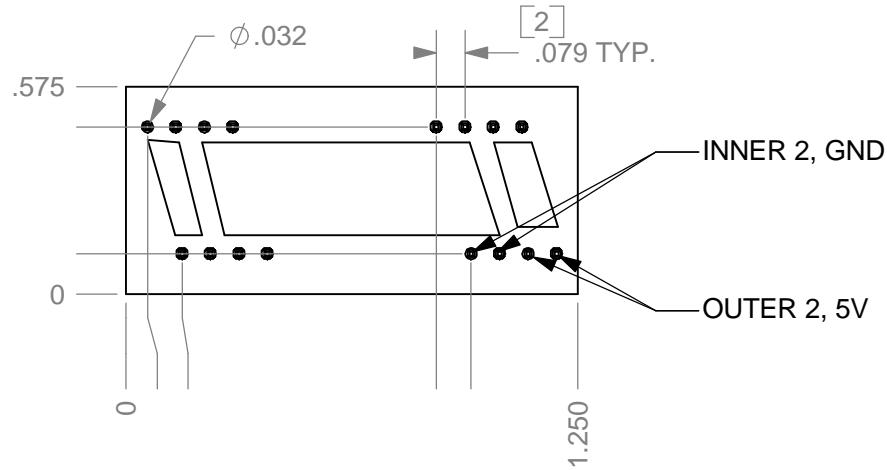
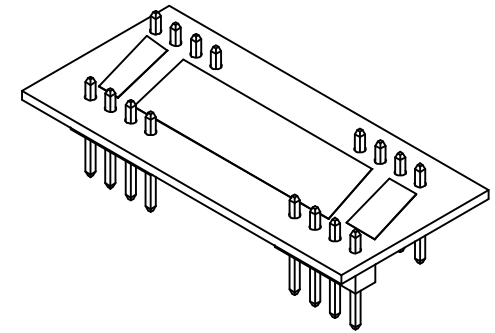


NOTES:

ITEM NO.	QTY.	PART NO.	DESCRIPTION
1	1	RT-0008X	PCB
2	4	Sullins_PRPN041PAEN	2MM GRID CONN



CONFIDENTIAL: THIS DOCUMENT CONTAINS PROPRIETY INFORMATION AND/OR DATA AND IS ONLY FOR THE USE OF IT IS NOT TO BE COMMUNICATED TO OTHERS WITHOUT THE EXPRESSED WRITTEN CONSENT OF

UNLESS OTHERWISE SPECIFIED:  
1. ALL DIMENSIONS ARE IN INCHES.  
2. BREAK AND DEBURR ALL EDGES AND CORNERS (.02 MAX x 45°).

ROUTE	APPVL	DATE
DWN. XXX		
REV. XXX		
P.E. XXX		
MODIFIED		

DWG. NO.: RT-0008

REV X ECO# DATE 07-29-02

TITLE: 4X4 INTERCONNECT

Red's Toyland  
Mountain View, CA, 94041  
h.  
w

**Red's Toyland**



THIRD ANGLE PROJECTION

SCALE: N/A SIZE A

UNLESS OTHERWISE SPECIFIED TOLERANCES ARE:

XX ± .01  
.XXX ± .005  
.XXXX ± .0005  
ANGLE ± 1°  
XX.X° ± 0.2°

SURFACE FINISH: 63

MATERIAL: .03" PCB

FINISH: RED SOLDER MASK

DESIGNER: RED BYER