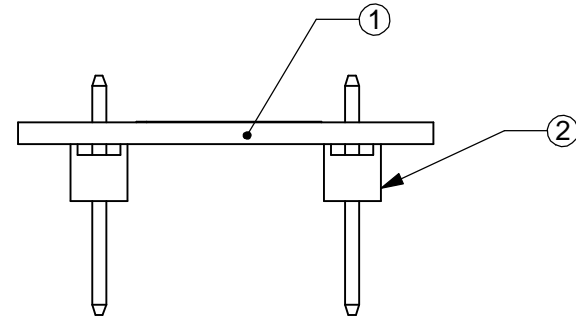
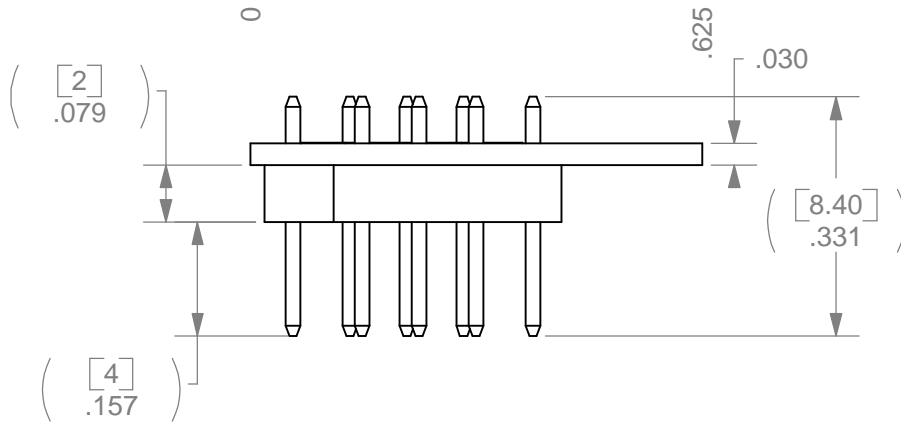
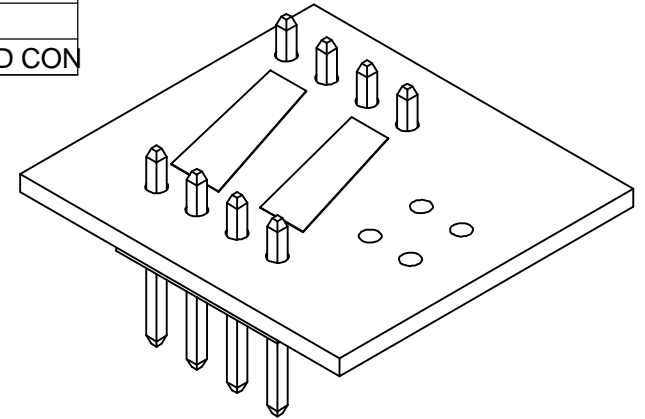
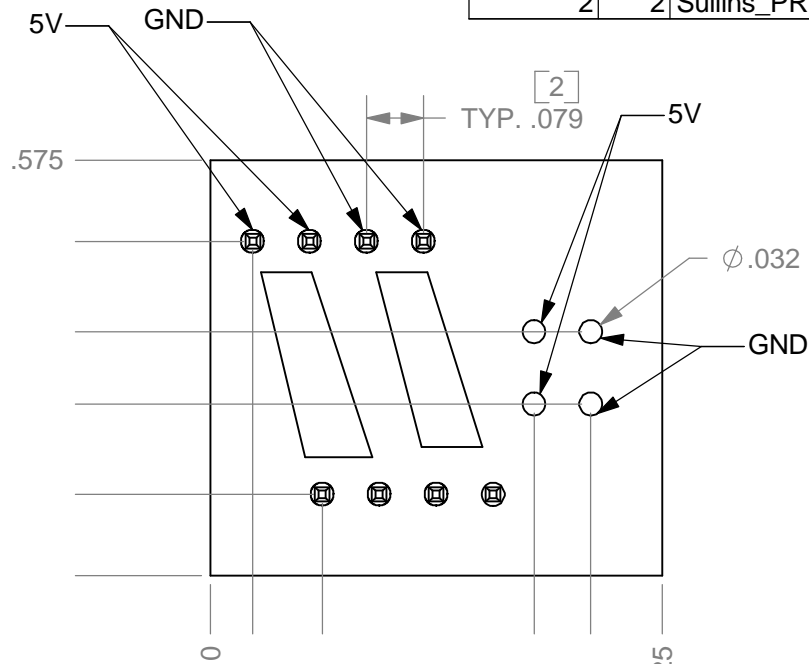


NOTES:

| ITEM NO. | QTY. | PART NO. | DESCRIPTION |
|----------|------|---------------------|--------------|
| 1 | 1 | RT-0009X | PCB |
| 2 | 2 | Sullins_PRPN041PAEN | 2MM GRID CON |



CONFIDENTIAL: THIS DOCUMENT CONTAINS PROPRIETY INFORMATION AND/OR DATA AND IS ONLY FOR THE USE OF. IT IS NOT TO BE COMMUNICATED TO OTHERS WITHOUT THE EXPRESSED WRITTEN CONSENT OF

UNLESS OTHERWISE SPECIFIED:
1. ALL DIMENSIONS ARE IN INCHES.
2. BREAK AND DEBURR ALL EDGES AND CORNERS (.02 MAX x 45°).

| ROUTE | APPVL | DATE |
|----------|-------|------|
| DWN. XXX | | |
| REV. XXX | | |
| P.E. XXX | | |
| MODIFIED | | |

DWG. NO.: RT-0009

REV X ECO#

DATE 07-29-02

TITLE: 2X4 INTERCONNECT

Red's Toyland
Mountain View, CA, 94041
h.

Red's Toyland



THIRD ANGLE PROJECTION

SCALE: N/A SIZE A

UNLESS OTHERWISE SPECIFIED TOLERANCES ARE:

XX ± .01
.XXX ± .005
.XXXX ± .0005
ANGLE ± 1°
XX.X° ± 0.2°

SURFACE FINISH: 63

MATERIAL: .03" PCB

FINISH: RED SOLDER MASK

DESIGNER: RED BYER