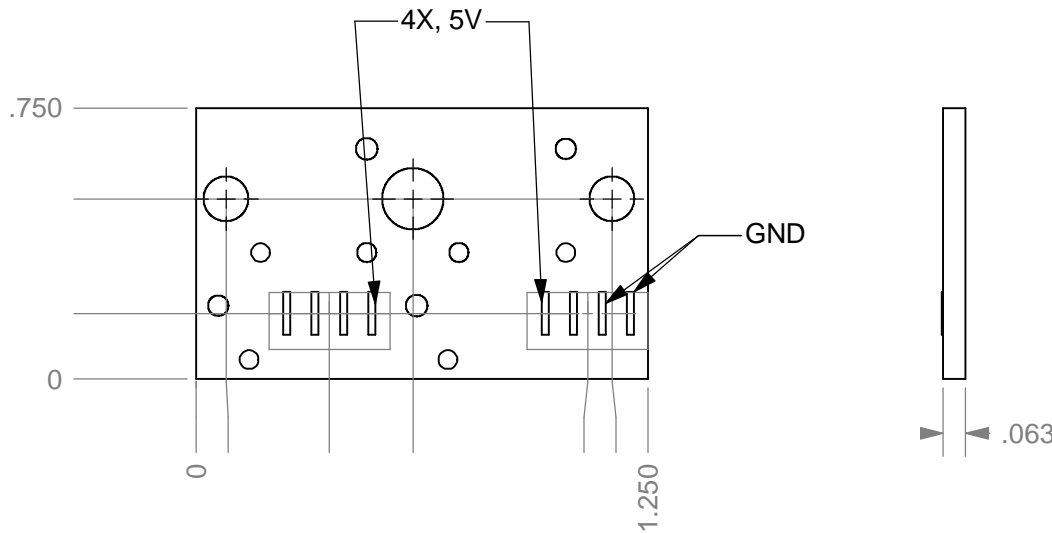
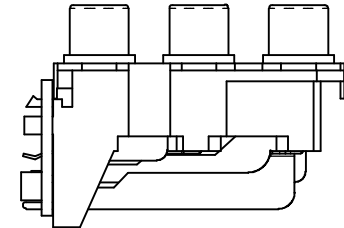
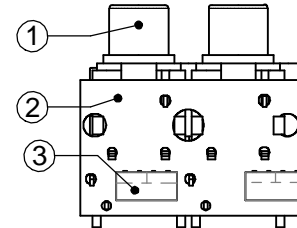
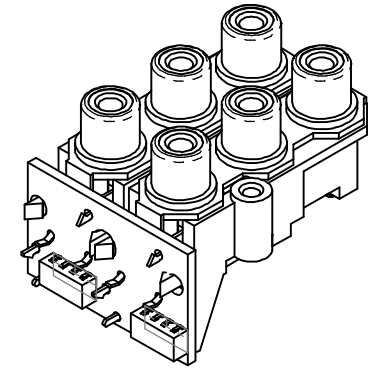
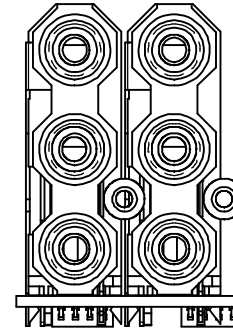


NOTES:

ITEM NO.	QTY.	PART NO.	DESCRIPTION
1	2	Mouser_161-4320	RCA, RGB
2	1	RT-0010X	GROUP OF 2 PCB
3	2	Sullins_PPPN041FGGN	SIP 4, 2MM RT ANG



CONFIDENTIAL: THIS DOCUMENT CONTAINS PROPRIETY INFORMATION AND/OR DATA AND IS ONLY FOR THE USE OF . IT IS NOT TO BE

UNLESS OTHERWISE SPECIFIED:
1. ALL DIMENSIONS ARE IN INCHES.
2. BREAK AND DEBURR ALL EDGES AND CORNERS (.02 MAX x 45°).

ROUTE	APPVL	DATE
DWN. XXX		
REV. XXX		
P.E. XXX		
MODIFIED		

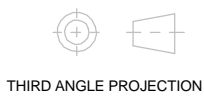
DWG. NO.: RT-0010

REV X1 ECO# DATE 08-02-02

TITLE: GROUP OF 2, PCB

Red's Toyland
Mountain View, CA, 94041
h
w

Red's Toyland



THIRD ANGLE PROJECTION
SCALE: N/A SIZE A

UNLESS OTHERWISE SPECIFIED TOLERANCES ARE:

XX ± .01
.XXX ± .005
.XXXX ± .0005
ANGLE ± 1°
XX.X° ± 0.2°

SURFACE FINISH: 63

MATERIAL: .06" PCB
FINISH: BLUE SOLDER MASK
DESIGNER: RED BYER