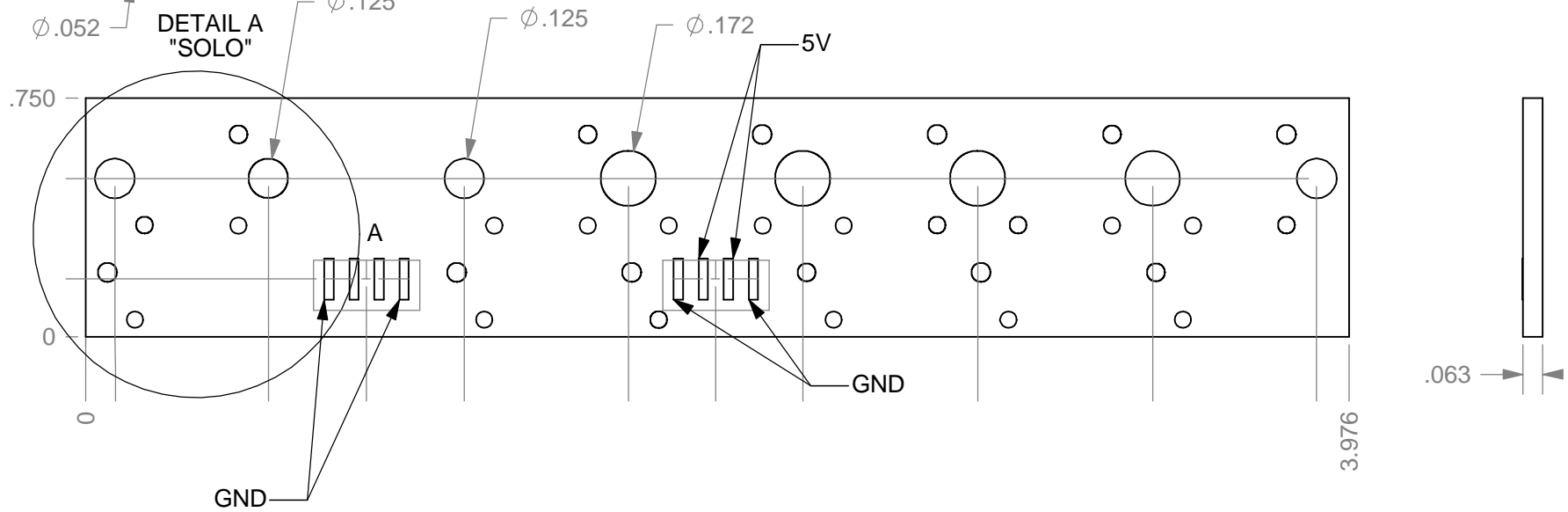
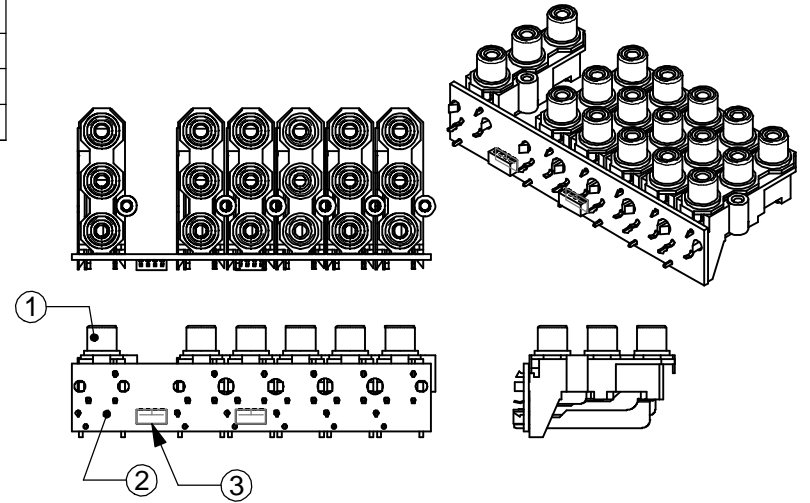
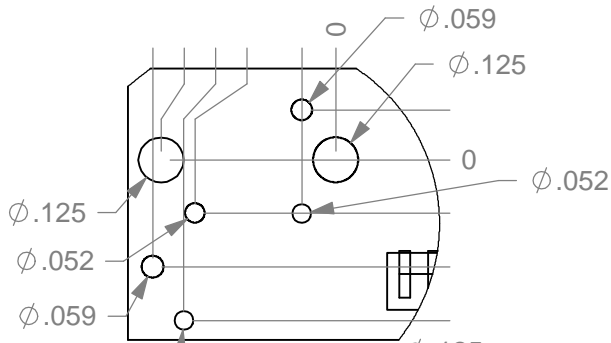


NOTES:

ITEM NO.	QTY.	PART NO.	DESCRIPTION
1	6	Mouser_161-4320	RCA, RGB
2	1	RT-0011X	GROUP OF 6, PCB
3	2	Sullins_PPPN041FGGN	SIP4, 2MM RT A FEM



<small>CONFIDENTIAL: THIS DOCUMENT CONTAINS PROPRIETY INFORMATION AND/OR DATA AND IS ONLY FOR THE USE OF . IT IS NOT TO BE COMMUNICATED TO OTHERS WITHOUT THE EXPRESSED WRITTEN CONSENT OF</small>		<small>UNLESS OTHERWISE SPECIFIED: 1. ALL DIMENSIONS ARE IN INCHES. 2. BREAK AND DESBURR ALL EDGES AND CORNERS (.02 MAX x 45°).</small>		ROUTE DWN. XXX	APPVL	DATE	DWG. NO.: RT-0011	REV X1	ECO#	DATE 08-02-02
<small>UNLESS OTHERWISE SPECIFIED TOLERANCES ARE:</small> .XX ± .01 .XXX ± .005 .XXXX ± .0005 ANGLE ± 1° XX.X° ± 0.2°		MATERIAL: .06" PCB FINISH: BLUE SOLDER MASK DESIGNER: RED BYER		REV. XXX			TITLE: GROUP OF 6, PCB			
THIRD ANGLE PROJECTION		SURFACE FINISH: 63		P.E. XXX			Red's Toyland Mountain View, CA, 94041		<h1>Red's Toyland</h1>	
SCALE: N/A SIZE A				MODIFIED						