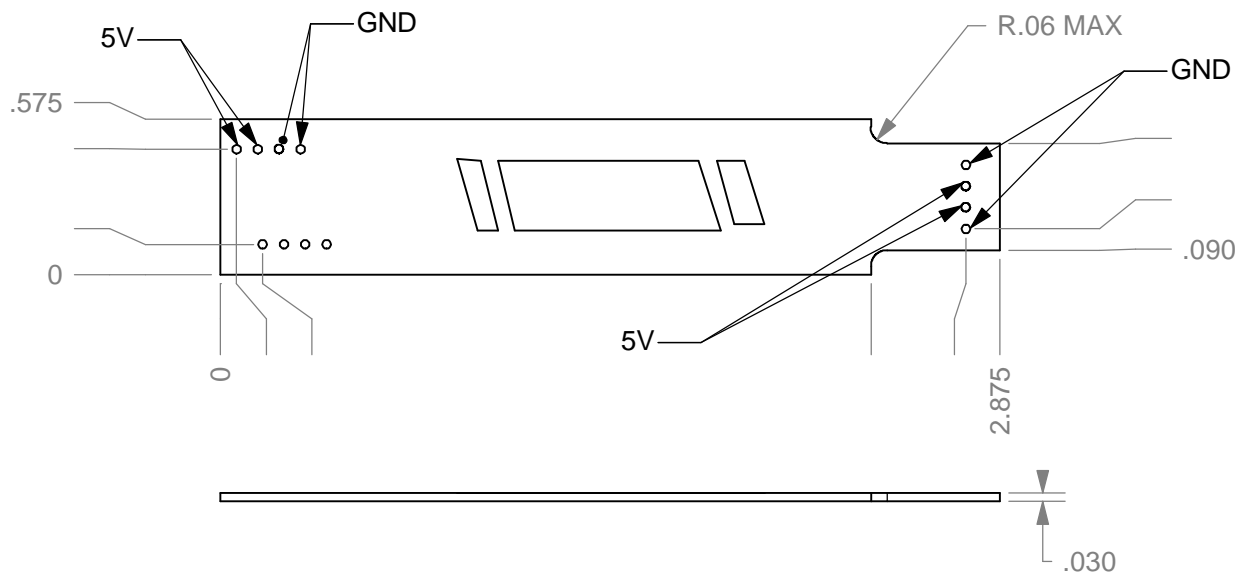
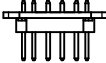
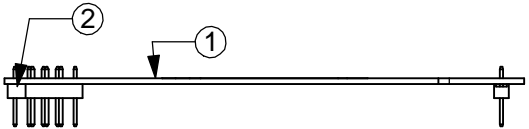
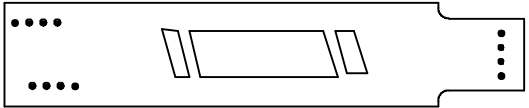
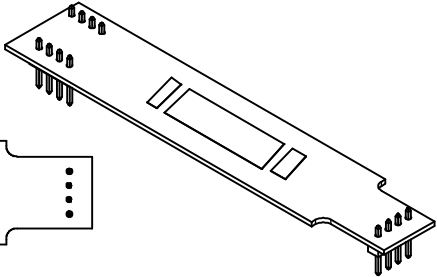


NOTES:

ITEM NO.	QTY.	PART NO.	DESCRIPTION
1	1	RT-0012X	3X4 INTERCONNECT
2	3	Sullins_PRPN041PAEN	SIP4, 2MM HEADER



<small>CONFIDENTIAL: THIS DOCUMENT CONTAINS PROPRIETY INFORMATION AND/OR DATA AND IS ONLY FOR THE USE OF T IS NOT TO BE COMMUNICATED TO OTHERS WITHOUT THE EXPRESSED WRITTEN CONSENT OF</small>		<small>UNLESS OTHERWISE SPECIFIED: 1. ALL DIMENSIONS ARE IN INCHES. 2. BREAK AND DESURR ALL EDGES AND CORNERS (.02 MAX x 45°).</small>		ROUTE	APPVL	DATE	DWG. NO.: RT-0012	REV X1	ECO#	DATE 08-02-02	
<p>THIRD ANGLE PROJECTION</p>		<small>UNLESS OTHERWISE SPECIFIED TOLERANCES ARE:</small> .XX ± .01 .XXX ± .005 .XXXX ± .0005 ANGLE ± 1° XX.X° ± 0.2°		MATERIAL: FR4 FINISH: RED SOLDER MASK DESIGNER: RED BYER		SURFACE FINISH: 63	TITLE: 3X4 INTERCONNECT PCB Red's Toyland Mountain View, CA, 94041				
SCALE: N/A	SIZE A			DWN. XXX REV. XXX P.E. XXX MODIFIED							