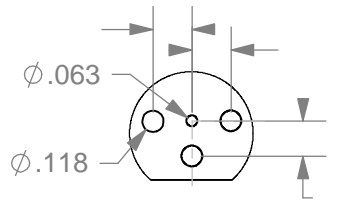
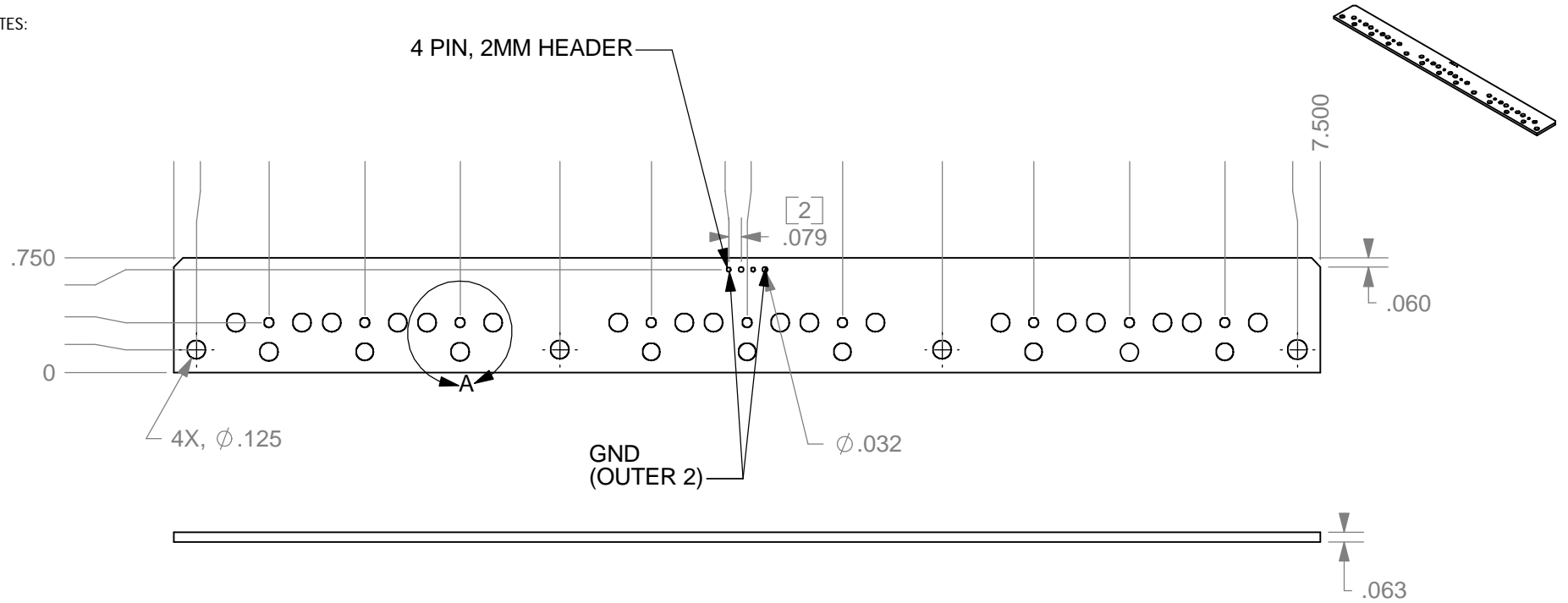
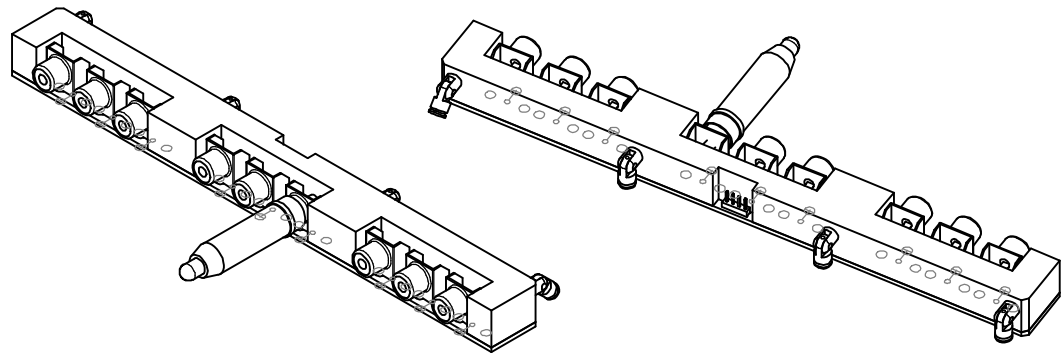


NOTES:



DETAIL A  
CONN. FOOTPRINT  
MOUSER: ME161-4216



CONFIDENTIAL: THIS DOCUMENT CONTAINS PROPRIETY INFORMATION AND/OR DATA AND IS ONLY FOR THE USE OF IT IS NOT TO BE COMMUNICATED TO OTHERS WITHOUT THE EXPRESSED WRITTEN CONSENT OF

UNLESS OTHERWISE SPECIFIED:  
1. ALL DIMENSIONS ARE IN INCHES.  
2. BREAK AND DEBURR ALL EDGES AND CORNERS (.02 MAX x 45°).

ROUTE	APPVL	DATE
DWN. XXX		
REV. XXX		
P.E. XXX		
MODIFIED		

DWG. NO.: RT-0013

REV X1 ECO#

DATE 07-29-02

TITLE: PEGHOLDER PCB

Red's Toyland  
Mountain View, CA, 94041

*Red's Toyland*

UNLESS OTHERWISE SPECIFIED TOLERANCES ARE:

.XX	± .01
.XXX	± .005
.XXXX	± .0005
ANGLE	± 1°
XX.X°	± 0.2°

SURFACE FINISH: 63

MATERIAL: FR4

FINISH: BLACK SOLDER MASK

DESIGNER: RED BYER



THIRD ANGLE PROJECTION  
SCALE: N/A SIZE A