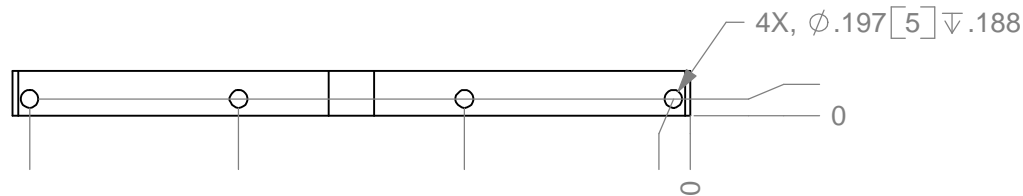
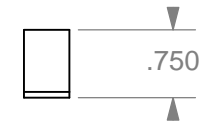
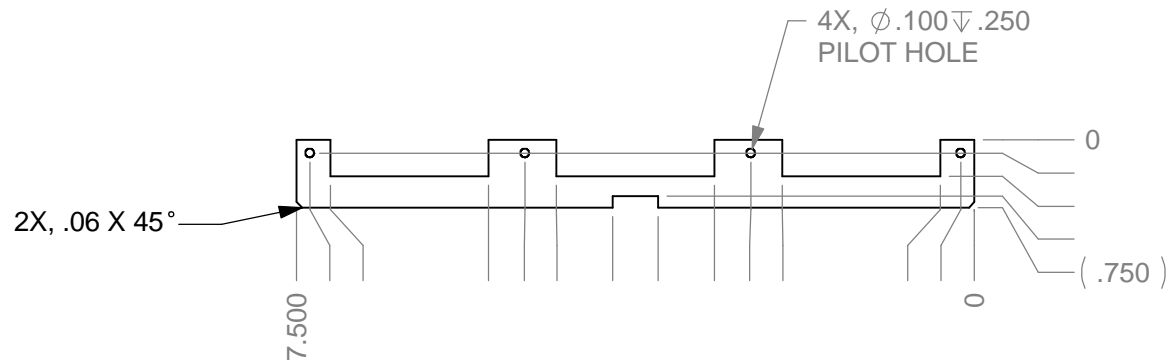
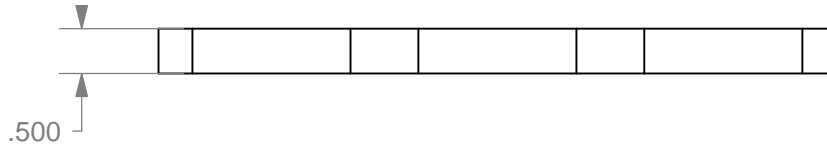
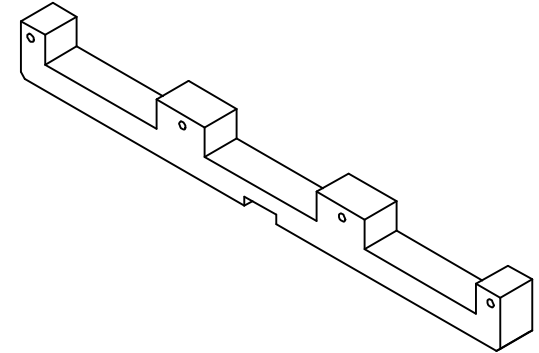


NOTES:

1. MATERIAL: FIGURED MAPLE OR ZIRICOTE



CONFIDENTIAL: THIS DOCUMENT CONTAINS PROPRIETY INFORMATION AND/OR DATA AND IS ONLY FOR THE USE OF IT IS NOT TO BE COMMUNICATED TO OTHERS WITHOUT THE EXPRESSED WRITTEN CONSENT OF

UNLESS OTHERWISE SPECIFIED:
1. ALL DIMENSIONS ARE IN INCHES.
2. BREAK AND DEBURR ALL EDGES AND CORNERS (.02 MAX x 45°).

ROUTE	APPVL	DATE
DWN. RED		
REV.		
P.E.		
MODIFIED		

DWG. NO.: RT-0017

REV X ECO# DATE 03-12-02

TITLE: BODY, PEG HOLDER

Red's Toyland
Mountain View, CA, 94041

Red's Toyland



THIRD ANGLE PROJECTION

SCALE: N/A SIZE A

UNLESS OTHERWISE SPECIFIED TOLERANCES ARE:

.XX ± .01
.XXX ± .005
.XXXX ± .0005
ANGLE ± 1°
XX.X° ± 0.2°

SURFACE FINISH: 63

MATERIAL: SEE NOTES

FINISH: NATURAL

DESIGNER: RED BYER