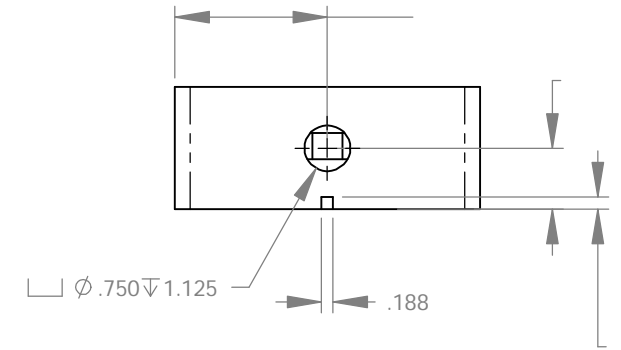
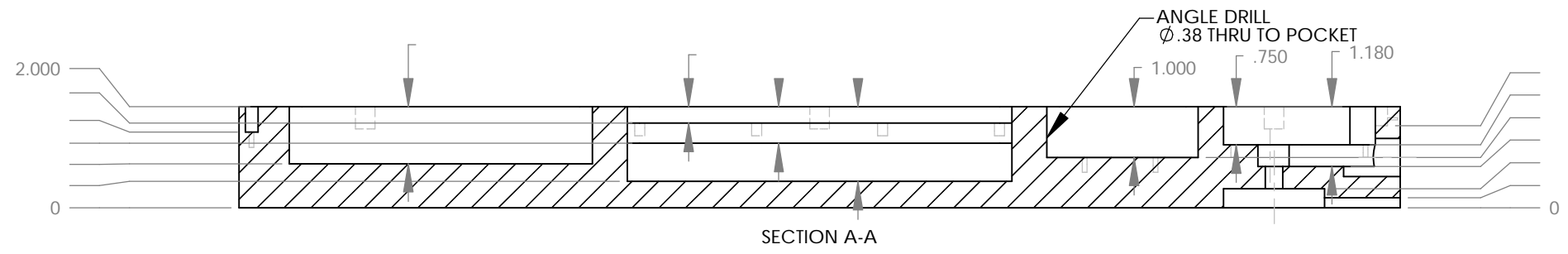
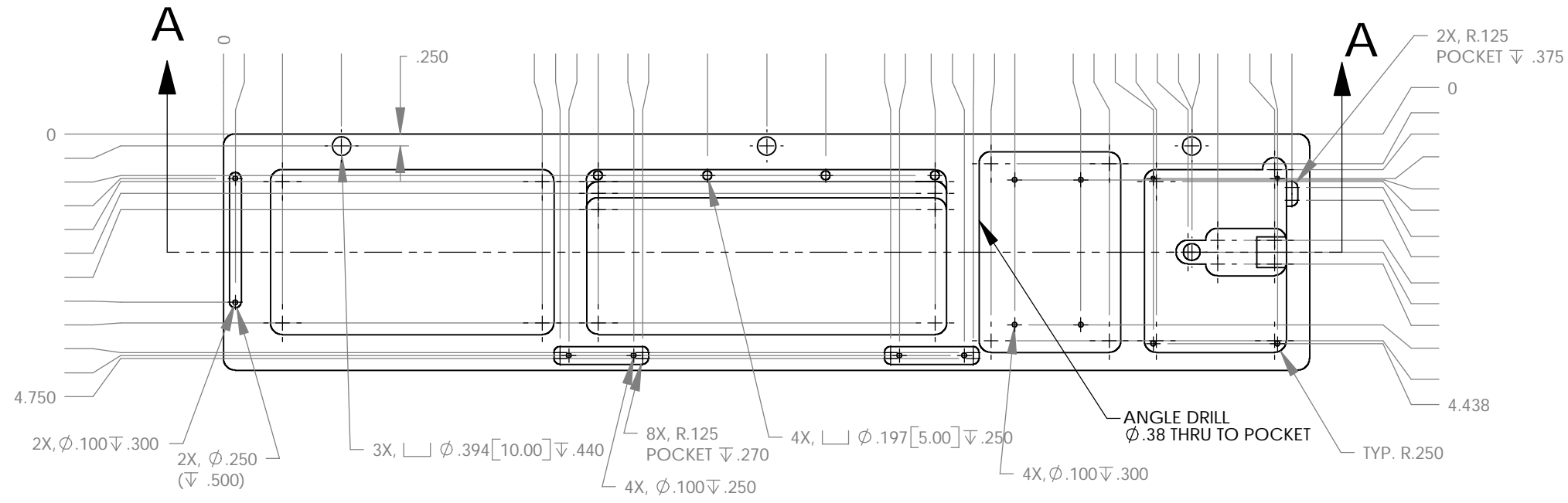


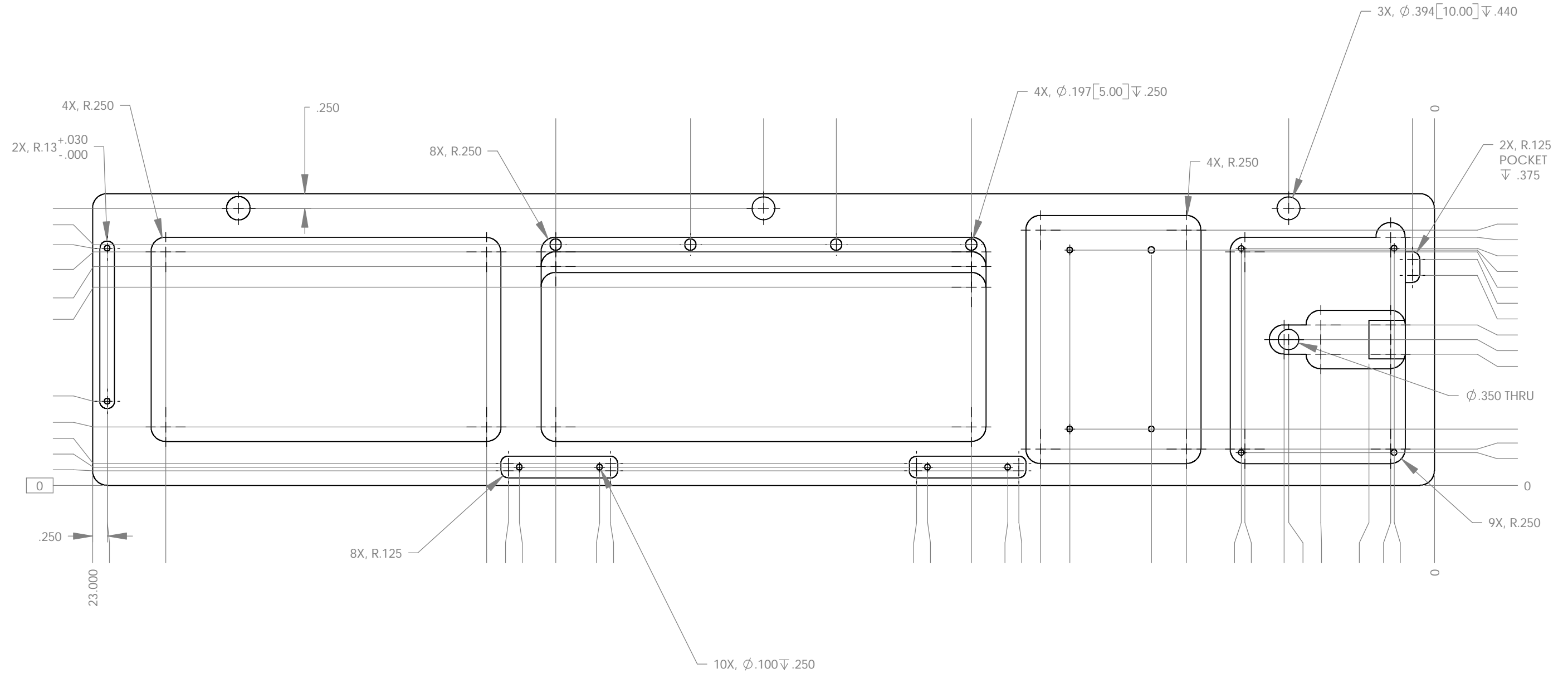
NOTES:





|                               |  |  |  |  |  |                |       |                                 |                            |                             |      |               |
|-------------------------------|--|--|--|--|--|----------------|-------|---------------------------------|----------------------------|-----------------------------|------|---------------|
| <p>THIRD ANGLE PROJECTION</p> |  | <p>UNLESS OTHERWISE SPECIFIED TOLERANCES ARE:</p> <p>.XX ± .01<br/>.XXX ± .005<br/>.XXXX ± .0005<br/>ANGLE ± 1°<br/>XX.X° ± 0.2°</p> |  | <p>UNLESS OTHERWISE SPECIFIED: 1. ALL DIMENSIONS ARE IN INCHES. 2. BREAK AND DEBURR ALL EDGES AND CORNERS (.02 MAX x 45°).</p> |  | ROUTE          | APPVL | DATE                            | DWG. NO.: RT-0018          | REV X                       | ECO# | DATE 03-19-02 |
|                               |  |  |  |  |  | DWN. RED       |       |                                 | TITLE: BASE, WEDDING BOARD |                             |      |               |
| <p>SCALE: N/A SIZE B</p>      |  | <p>UNLESS OTHERWISE SPECIFIED TOLERANCES ARE:</p> <p>.XX ± .01<br/>.XXX ± .005<br/>.XXXX ± .0005<br/>ANGLE ± 1°<br/>XX.X° ± 0.2°</p> |  | <p>MATERIAL: MAPLE, SOLID</p>  |  | <p>FINISH:</p> |       | <p>Red's Toyland</p>            |                            | <p><i>Red's Toyland</i></p> |      |               |
|                               |  |  |  | <p>DESIGNER: RED BYER</p>  |  |                |       | <p>Mountain View, CA, 94041</p> |                            |                             |      |               |

NOTES:

# TOP VIEW DETAIL



|   |  |   |  |   |  |                    |       |                          |                            |   |      |               |
|---|--|---|--|---|--|--------------------|-------|--------------------------|----------------------------|---|------|---------------|
| <br>THIRD ANGLE PROJECTION |  | UNLESS OTHERWISE SPECIFIED TOLERANCES ARE:<br>.XX ± .01<br>.XXX ± .005<br>.XXXX ± .0005<br>ANGLE ± 1°<br>XX.X° ± 0.2° |  | UNLESS OTHERWISE SPECIFIED:<br>1. ALL DIMENSIONS ARE IN INCHES.<br>2. BREAK AND DEBURR ALL EDGES AND CORNERS (.02 MAX x 45°). |  | ROUTE              | APPVL | DATE                     | DWG. NO.: RT-0018          | REV X   | ECO# | DATE 03-19-02 |
|   |  |   |  |   |  | DWN. RED           |       |                          | TITLE: BASE, WEDDING BOARD |   |      |               |
| SCALE: N/A  |  | SIZE B  |  | MATERIAL: MAPLE, SOLID  |  | FINISH:            |       | Red's Toyland            |                            |  |      |               |
|   |  |   |  | SURFACE FINISH: 63  |  | DESIGNER: RED BYER |       | Mountain View, CA, 94041 |                            |   |      |               |